

Esco Cell Processing Isolator and Turnkey Cell Processing Centers

Highly Modular and Adaptable Solution for Cell-, Gene Therapy, Tissue Engineering, Seed Banking, and Cell Processing



A cGMP isolator, as per PIC/s standards, is an advanced aseptic processing containment system that is pressure tested and able to withstand a biodecontamination and/or sterilization procedure in a validated manner. It needs to be placed in a Grade D cleanroom.



Temperature and CO₂ Controlled Isolator

TFAI | ACTI



Isolator Ready with Esco Cell Therapy Equipment

GPPI | CPI | APPI

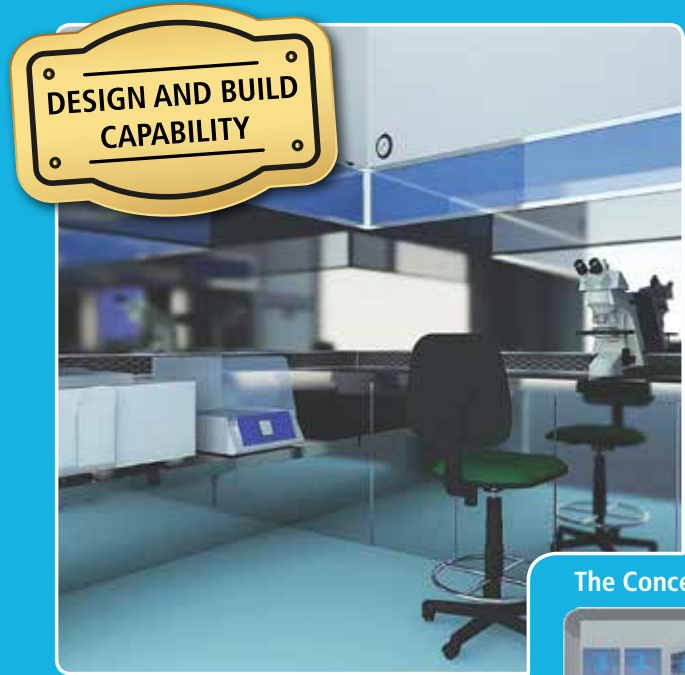
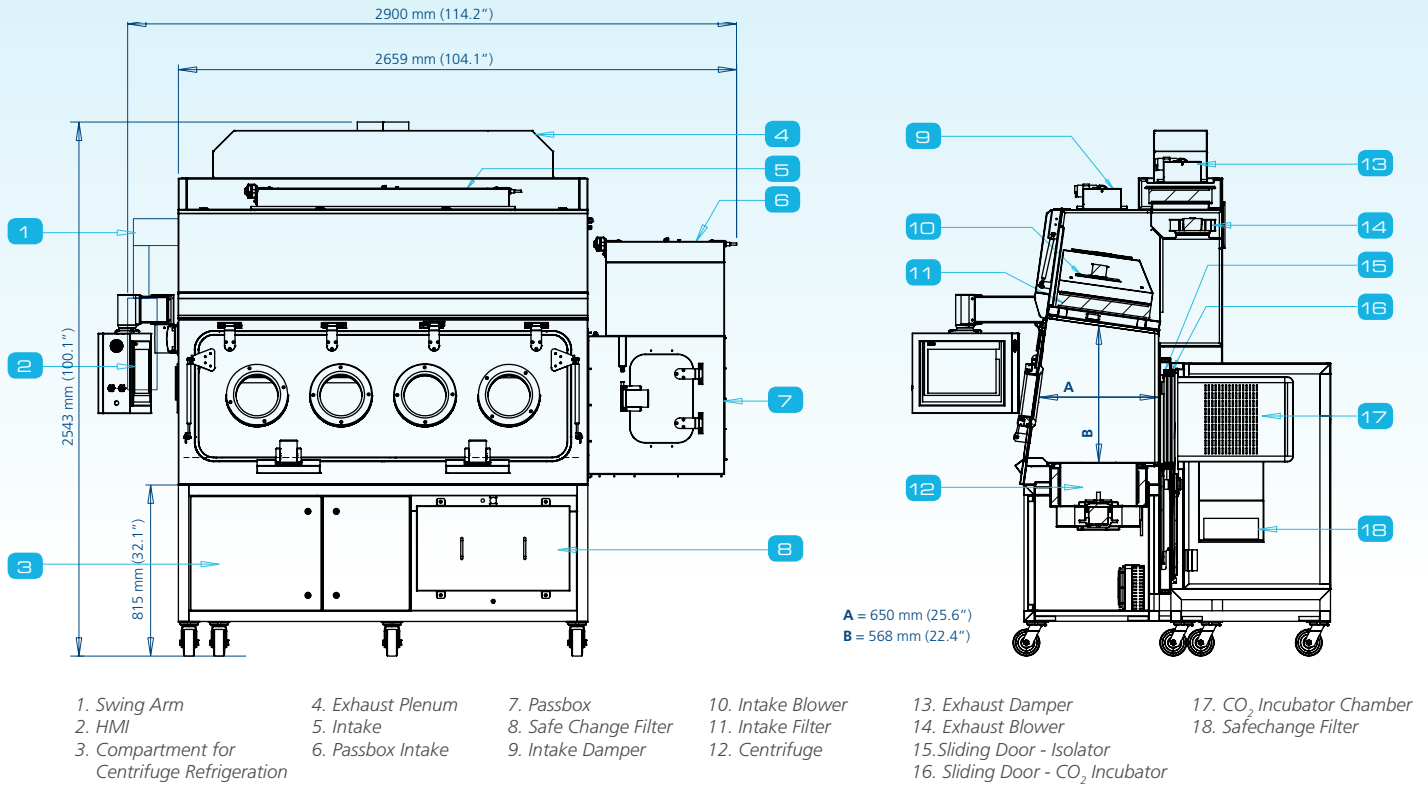


Stand Alone Isolator with Third-party Equipment

SCI | HPI

Isolator Specifications

Note: dimensions and components may subject to change depends on further discussion.



Cell Processing Center

Isolator Equipment Integration:

- ✓ Biobank
- ✓ Peltier Dry Well (-20 ° to 38° C)
- ✓ Refrigerators/ULTF (-30)
- ✓ Dry Shaking Bath
- ✓ Autoclave
- ✓ Vacuum
- ✓ Incubators
- ✓ Shaking Incubator
- ✓ Bioreactor (Tide/Wave/Shaker)
- ✓ Filling system with optional Single shelf freeze drier
- ✓ Centrifuge
- ✓ Microscope
- ✓ Glove Leak Tester

The Concept



Esco's C-Class (ISO 7) Modular Room

Multi-functional Bio-work station

Self-contained system



For queries and comments, please contact Esco VacciXcell Technical Support team.
21 Changi South Street 1 • Singapore 486777
Tel +65 6251 9361 • mail@vaccixcell.com
www.escovaccixcell.com

CDMO Services:
Esco Aster Pte Ltd
#02-09 Block 67 Ayer Rajah Crescent • Singapore 139950
Tel +65 6251 9361 • mail@escoaster.com • www.escoaster.com

Cell Processing Isolator Sellsheet A4_vA_06 19/2020
Esco can accept no responsibility for possible errors in catalogue, brochures and other printed materials. Esco and the Esco logo are registered trademarks of Esco. All other trademarks and logos in this material are the property of Esco and the respective companies.